

# SPARE PARTS SECTION

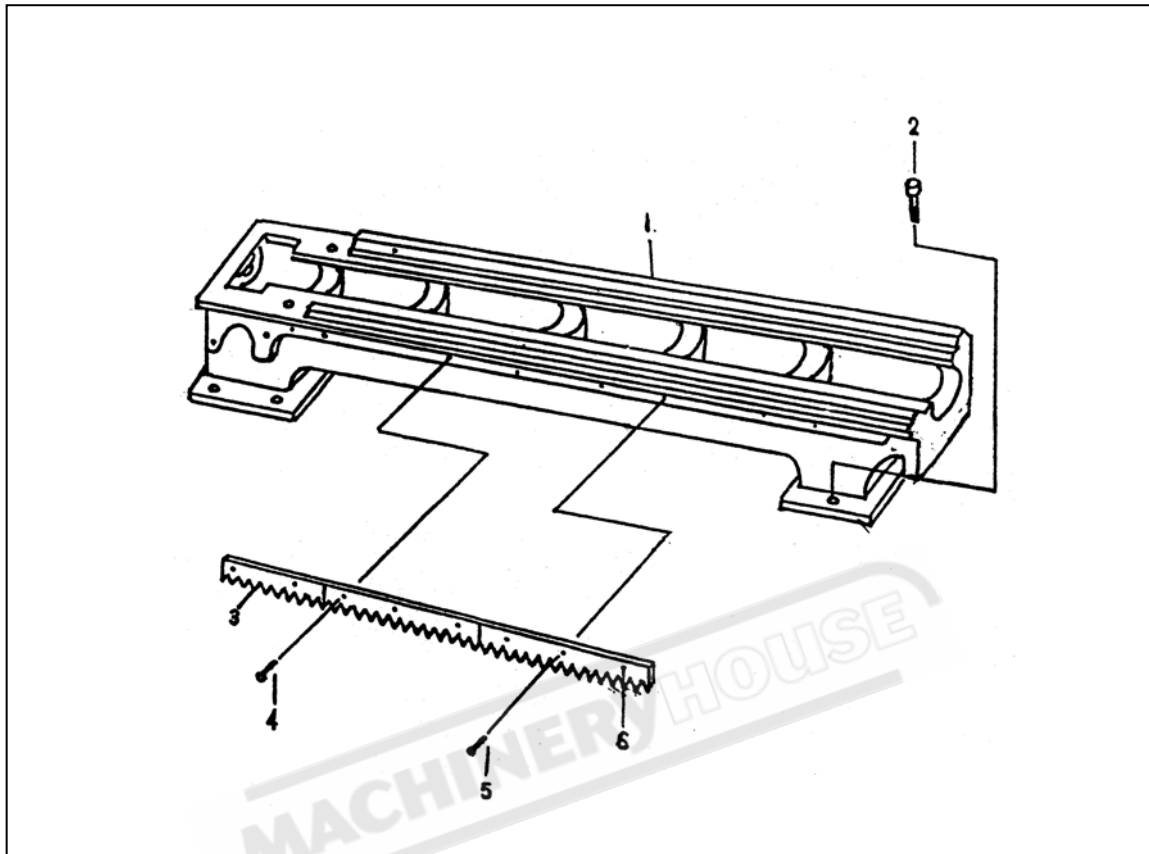
The following section covers the spare parts diagrams and lists that were current at the time this manual was originally printed. Due to continuous improvements of the machine, changes may be made at any time without notification.

## HOW TO ORDER SPARE PARTS

1. Have your machines **model number, serial number & date of manufacture** on hand, these can be found on the specification plate mounted on the machine
2. A scanned copy of your parts list/diagram with required spare part/s identified
3. Go to [www.machineryhouse.com.au/contactus](http://www.machineryhouse.com.au/contactus) and fill out the enquiry form attaching a copy of scanned parts list.

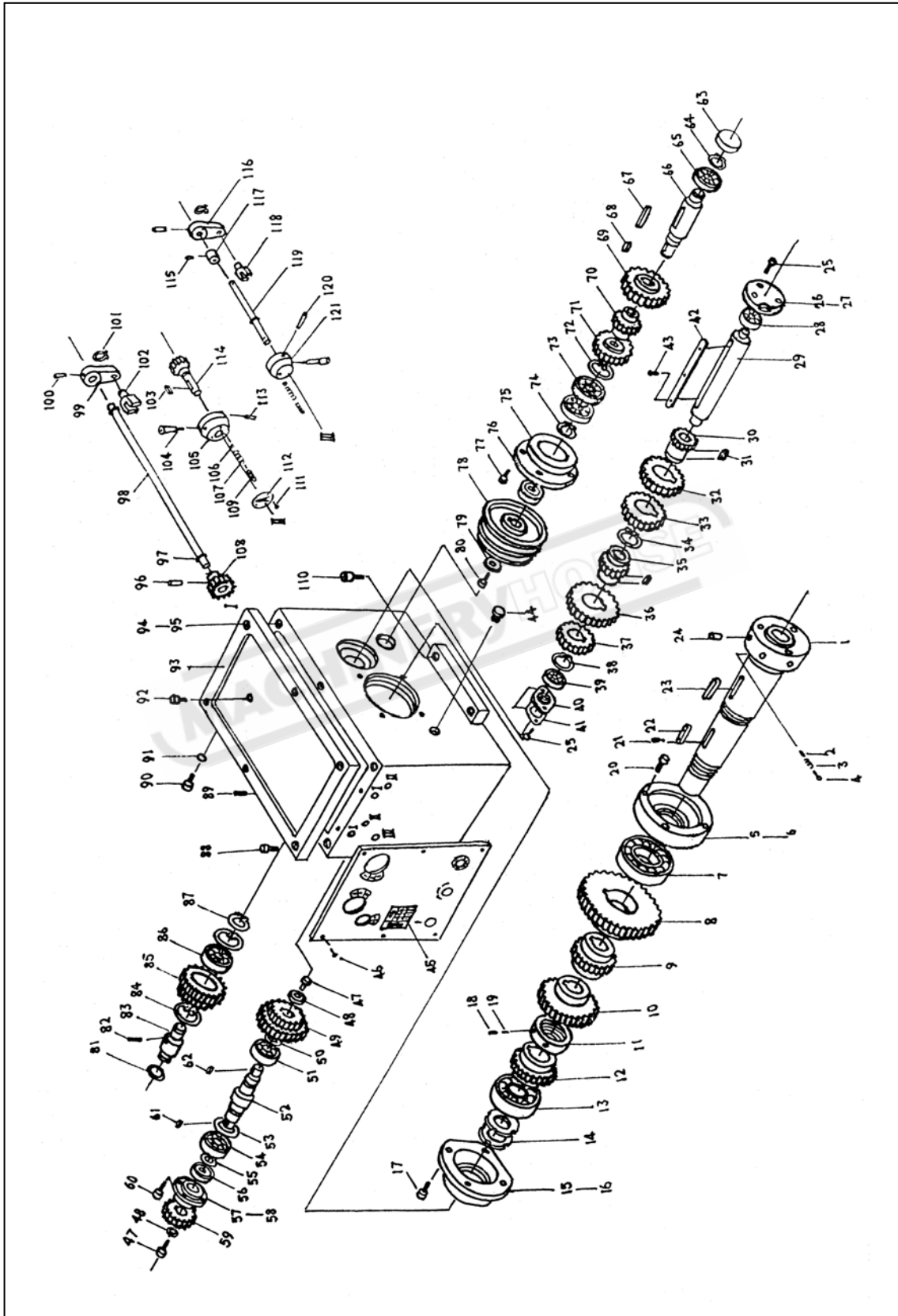
## CONTENTS

Bed Assembly-----	1
Head Stock -----	2
Gear Box -----	5
Gear Box -I-----	8
Gear Box -Ii-----	11
Gear Box -Iii-----	14
Apron-----	17
Compound Rest-----	21
Saddle-----	23
Tailstock-----	25
Change Gear -----	26
Control Switch Assembly-----	27
Bed And Drive Assembly-----	28
Special Accessories-----	29
Steady Rest-----	32
Follow Rest-----	33
Position Device-----	34
Protecting Cover-----	35
Guard-----	36

**BED ASSEMBLY****BED ASSEMBLY**

NO.	NAME	QTY	NOTE	NO.	NAME	QTY	NOTE
1	Lathe bed	1	10047	4	Screw	6	M6x15
2	Screw	6	M12 x40	5	Pin	6	5x20
3	Rack gear	1	1009	6	Rack gear	2	1011

# HEAD STOCK



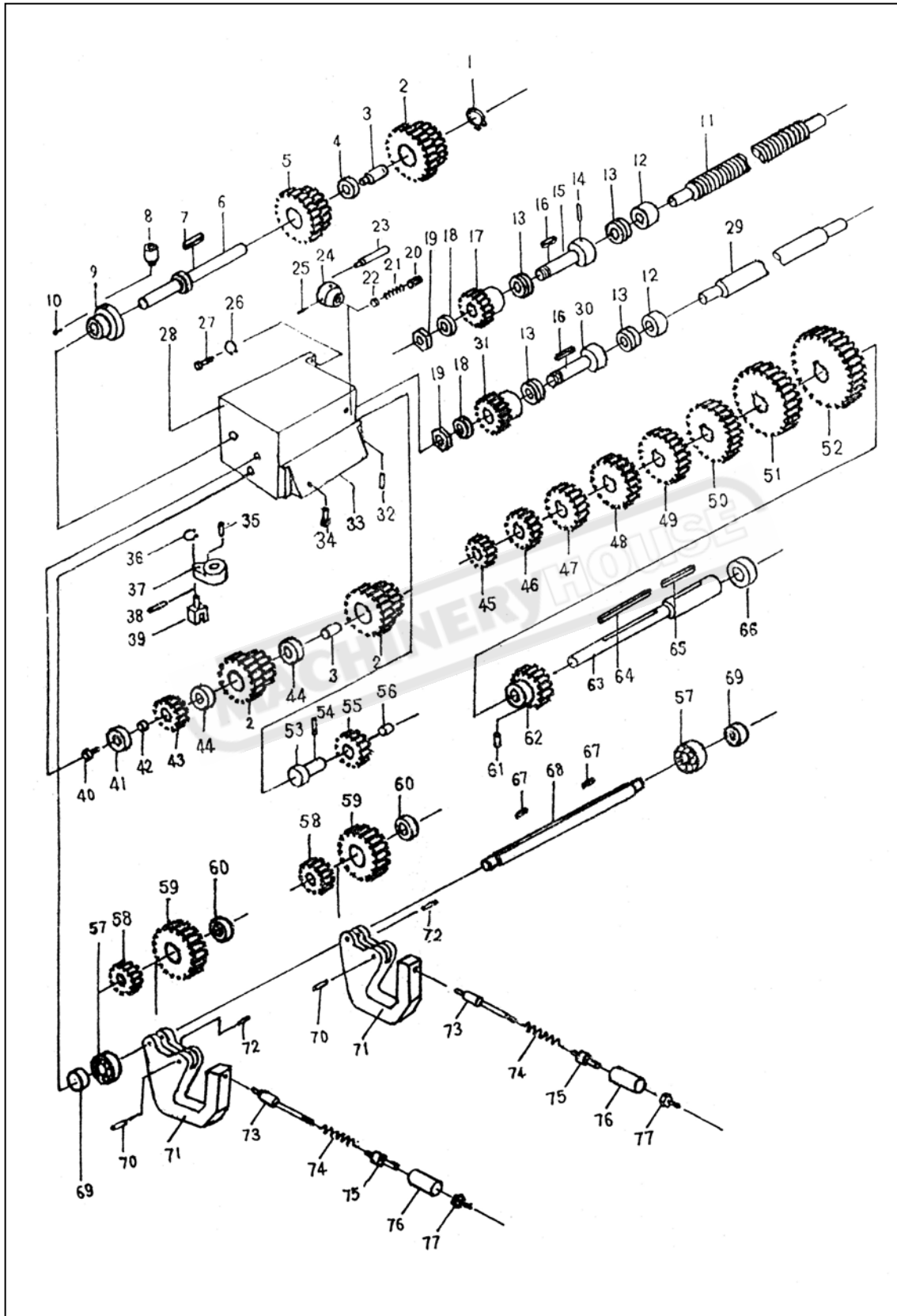
## OWNER'S MANUAL

<b>HEAD STOCK</b>							
No.	NAME	QTY	NOTE	No.	NAME	QTY	NOTE
1	Spindle	1	2034	34	Circlip	1	
2	Lock pin	3	2035	35	Gear	1	2022
3	Spring	3	0.6x4x22	36	Gear	1	2020
4	Screw	3	M8x16	37	Gear	1	2021
5	Cover	1	2038	38	Circlip	1	
6	Oil seal	1	2006	39	Bearing	1	6104
7	Bearing	1	D7212	40	Cover	1	2009
8	Gear	1	2031	41	Oil seal	1	2009A
9	Gear	1	2030	42	Key	1	8x108
10	Gear	1	2029	43	Screw	2	M3x8
11	Nut	1	2024	44	Oil seal	1	
12	Gear	1	2008	45	Fascia	1	2055
13	Bearing	1	D7212	46	Screw	6	M3x8
14	Nut	2	2007	47	Screw	2	M6x12
15	Cover	1	2005A	48	Washer	2	2003
16	Oil seal	1	2023	49	Gear	2	2026
17	Screw	4	M8x16	50	Circlip	1	25
18	Screw	2	M8x8	51	Bearing	1	
19	Collar	2	2025	52	Shaft	1	2027a
20	Screw	4	M8x16	53	Circlip	1	42
21	Screw	2	M3x8	54	Bearing	1	
22	Key	1	8x45	55	Circlip	1	20
23	Key	1	8x80	56	Oil seal	1	D20x40x10
24	Shaft	3	2037	57	Cover	1	2004A
25	Screw	5	M8x16	58	Oil seal	2	2066
26	Cover	1	2040	59	Gear	1	2002B
27	Oil seal	1	2028	60	Screw	3	M6x115
28	Bearing	1		61	Key	1	C5x8
29	Shaft	1	2039	62	Key	1	C5x20
30	Gear	1	2017	63	Cover	1	2063
31	Key	2	5x18	64	Circlip	1	
32	Gear	1	2015	65	Bearing	1	
33	Gear	1	2016	66	Shaft	1	2010B

## OWNER'S MANUAL

No.	NAME	QTY	NOTE	No.	NAME	QTY	NOTE
67	Key	1	5x80	95	Headstock	1	2033
68	Key	1	C5x24	96	Pin	2	4x24
69	Gear	1	2019	97	Oil seal	7	16x2.4
70	Gear	1	2018	98	Shaft	2	2046
71	Gear	1	2013	99	Shaft arm	2	2042
72	Circlip	1	47	100	Pin	3	4x24
73	Bearing	2		101	Circlip	3	
74	Circlip	1		102	Shifter	2	2041
75	Cover	1	2012B	103	Key	2	5x16
76	Oil seal	1	D25x40x10	104	Handle	3	2058
77	Screw	4	M6x20	105	Boss	2	2059
78	Pulley	1	2014	106	Ball	4	
79	Washer	1	2011	107	Spring	4	1x6x20
80	Screw	1	<b>M8x20</b>	108	Gear	2	2047
81	Oil seal	1		109	Screw	4	M8x8
82	Screw	1	M6x8	110	Screw	2	M12x25
83	Shaft	1	2001	111	Screw	4	M3x6
84	Circlip	2	47	112	Fascia	2	2060
85	Gear	1	2032	113	Screw	2	M6x20
86	Bearing	1		114	Gear	2	2061
87	Circlip	1		115	Screw	1	<b>M6x8</b>
88	Screw	6	M6x30	116	Shift arm	1	2054A
89	Screw	2	M6x20	117	Collar	1	2079
90	Screw	1	M16x1.5	118	Shifter	1	2048
91	Oil seal	1	16x2.4	119	Shaft	1	2052
92	Screw	1	M16x1.5	120	Pin	1	5x40
93	Cover	1	2044	121	Boss	1	2051
94	Oil seal	1	2062				

# GEAR BOX



## OWNER'S MANUAL

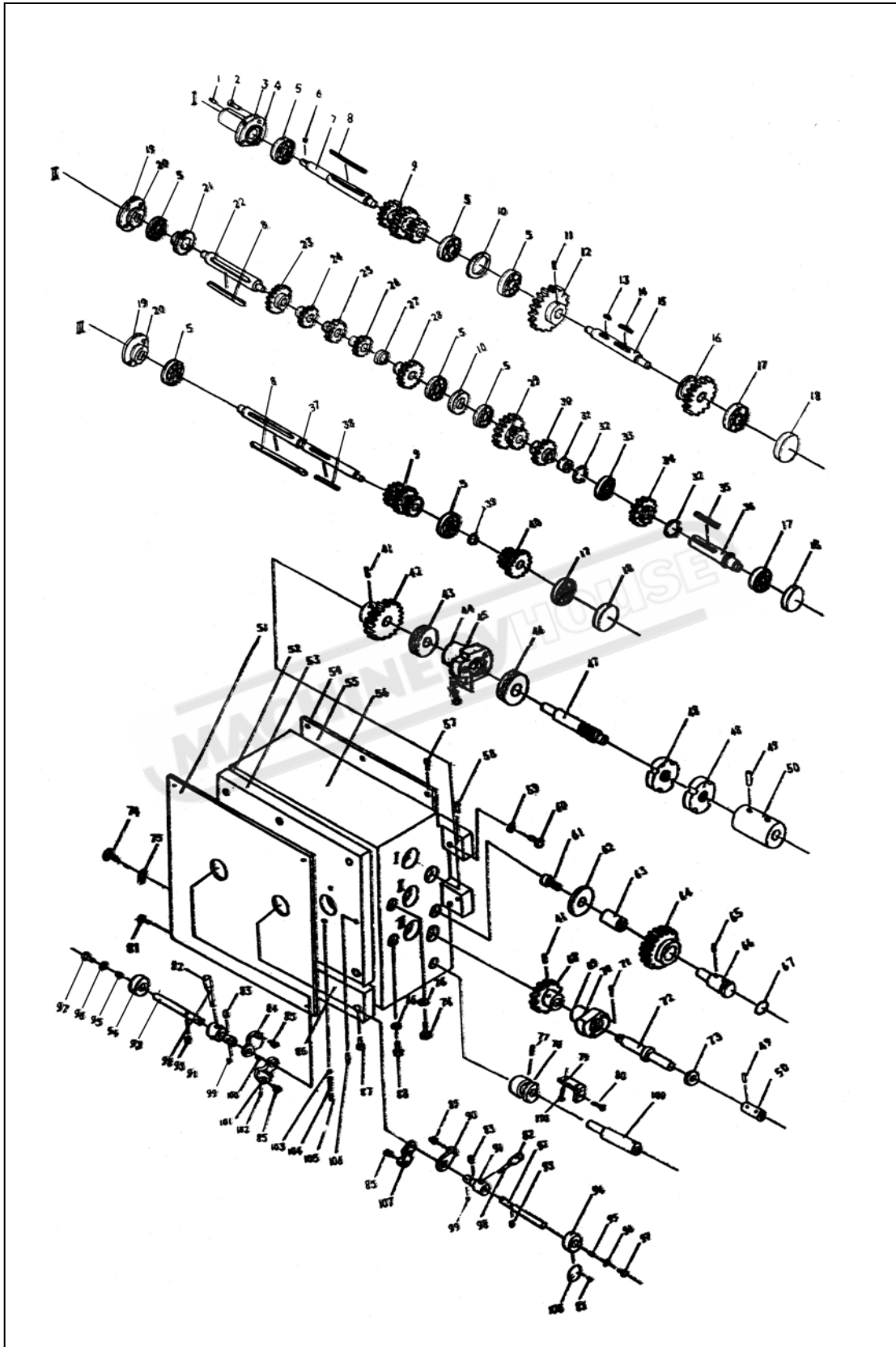
<b>GEAR BOX</b>							
No.	NAME	QTY	NOTE.	No.	NAME	QTY	NOTE.
1	Oil Cup	1		21	Boss	1	2057
2	Circlip	1		22	Pin	1	5x40
3	Gear	3	3015	23	Gear Box	1	3001
4	Bushing	3	3016	24	Screw	3	M8x8
5	Washer	1	3024	25	Spring	2	1x4.5x7
6	Gear	1	3023	26	Sted Ball	2	
7	Shaft	1	3022	27	Screw	2	M10x30
8	Key	1	5x10	28	Spring washer	2	
9	Cover	1	3031	29	Feed Rod	1	1006
10	Screw	3	M6x16	30	Shaft	1	3047
11	Guide Screw	1	1005	31	Gear	1	3004
12	Sheath	2	3084	32	Plate	1	3029
13	Bearing	4	8103	33	Screw	4	M6x16
14	Pin	2	5x35	34	Shaft	1	3039
15	Shaft	1	3028	35	Circlip	1	
16	Key	2	5x14	36	Shifter Arm	1	3040
17	Gear	1	3026	37	Pin	1	5x30
18	Nut	4	M12	38	Shifter	1	3041
19	Washer	4	3025	39	Bushing	1	3019
20	Lever	1	6056	40	Screw	1	M6x12

## OWNER'S MANUAL

No.	NAME	QTY	NOTE	No.	NAME	QTY	NOTE
41	Washer	1	3021	61	Pin	1	
42	Gear	2	3018	62	Gear	1	3027
43	Washer	2	3017	63	Shaft	1	3020
44	Gear	1	3012	64	Key	1	5x75
45	Gear	1	3011	65	Key	1	3042
46	Gear	1	3010	66	Top	1	3043
47	Gear	1	3009	67	Key	2	3014
48	Gear	1	3008	68	Shaft	1	3003
49	Gear	1	3007	69	Pin	2	5x18
50	Gear	1	3006	70	Top	2	3002
51	Gear	1	3005	71	Screw	2	M6x5
52	Gear	2	3044	72	Shaft	2	3051
53	Pin	4	6x25	73	Shaft	2	3054
54	Gear	2	3045	74	Spring	2	1x8x47
55	Bushing	1	3046	75	Sleeve	2	2053
56	Bearing	2		76	Housing	2	3055
57	Gear	1	3013	77	Nut	2	M6
58	Gear	2	3049				
59	Bushing	2	3050				
60	Shifter Lever	2	3052				



### GEAR BOX- I



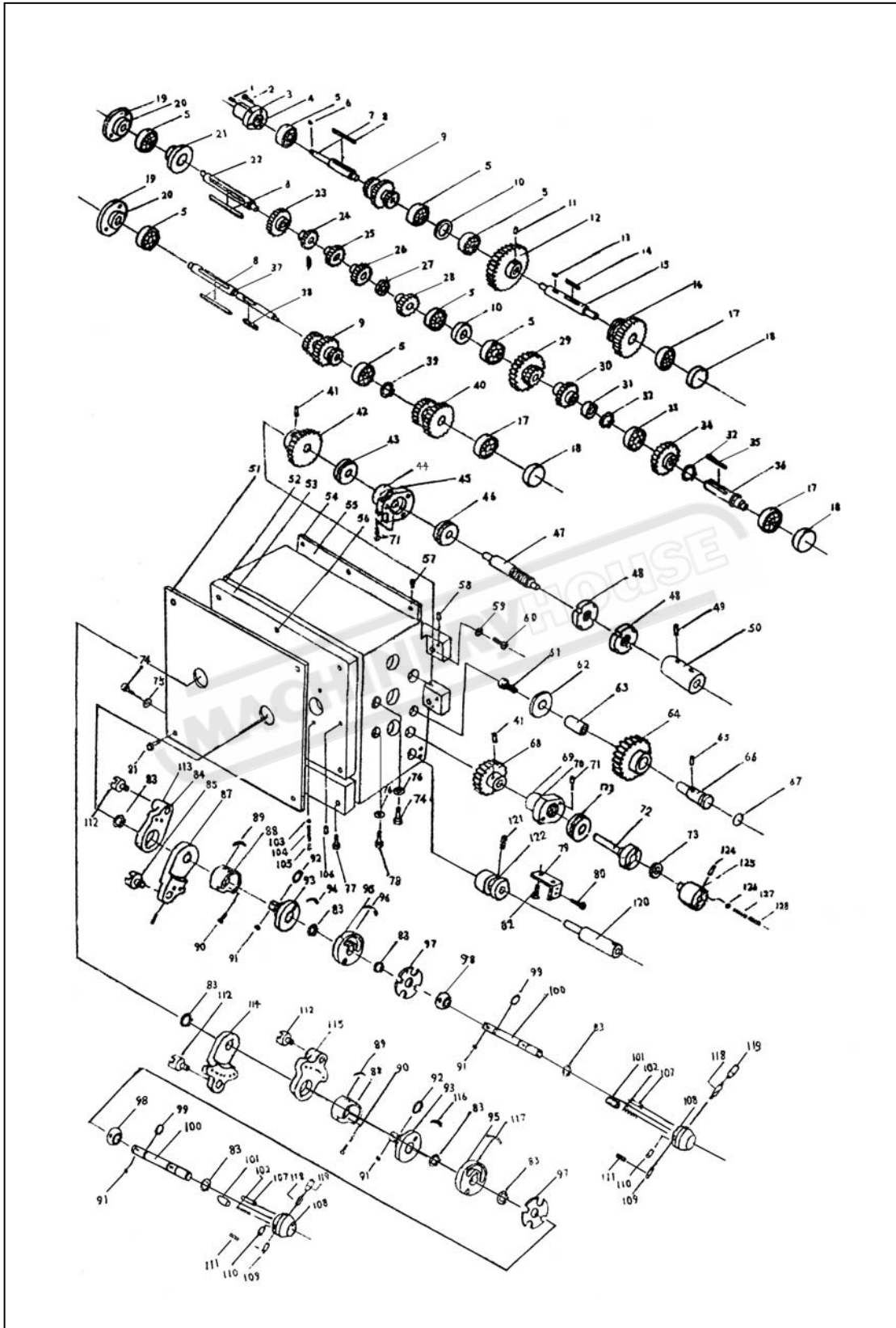
## OWNER'S MANUAL

<b>GEAR BOX- I</b>							
No.	NAME	QTY	NOTE	No.	NAME	QTY	NOTE
1	Oil Cup	1		29	Gear	1	3026C
2	Screw	7	M6x12	30	Gear	1	3007C
3	Cover	1	3034B	31	Washer	1	3008C
4	Oil seal	1	3035C	32	Circlip	2	
5	Bearing	8		33	Bearing	1	
6	Key	1	5x13	34	Gear	1	3009B
7	Shaft	1	3041B	35	Key	1	C5x40
8	Key	3	6x90	36	Shaft	1	3019C
9	Gear	2	3005B	37	Shaft	1	3004B
10	Washer	2	3066B	38	Key	1	5x35
11	Screw	1	M6x8	39	Circlip	1	
12	Gear	1	3027C	40	Gear	1	3006C
13	Key	1	6x15	41	Pin	2	5x25
14	Key	1	6x35	42	Gear	1	3018C
15	Shaft	1	3067C	43	Bearing	1	8103
16	Gear	1	3025C	44	Cover	1	3084D
17	Bearing	3		45	Oil seal	1	3068D
18	Cover	3	3017B	46	Bearing	1	8104
19	Cover	2	3044B	47	Shaft	1	3021C
20	Oil seal	2	3046B	48	Nut	2	M20x1.5
21	Washer	1	3045B	49	Pin	1	5x25
22	Shaft	1	3033B	50	Bushing	1	3020D
23	Gear	1	3029B	51	Fasica	1	3060D
24	Gear	1	3031B	52	Oil seal	1	3071D
25	Gear	1	3032B	53	Cover	1	3059B
26	Gear	1	3003B	54	Cover	1	3042C
27	Washer	1	3030B	55	Oil seal	1	3070C
28	Gear	1	3002B	56	Gear box	1	3001C

## OWNER'S MANUAL

No.	NAME	QTY	NOTE	No.	NAME	QTY	NOTE
57	Screw	6	M6x12	85	Shifter	3	3049B
58	Pin	2	5x25	86	Cover	1	3061B
59	Spring washer	2		87	Screw	8	M8x16
60	Screw	2	, 10x30	88	Oil window	1	
61	Screw	1	M6x12	89	Shifter	1	3062B
62	Washer	1	6x32x5	90	Shifter arm	1	3063B
63	Bushing	1	3024C	91	Boss	2	3057C
64	Gear	1	3016C	92	Shaft	2	3056C
65	Screw	1	M6x16	93	Oil seal	2	16x2.4
66	Shaft	1	3015C	94	Hand wheel	2	3054C
67	Oil seal	1	22x2.65	95	Key	2	5x8
68	Gear	1	3014C	96	Washer	2	
69	Cover	1	3022F	97	Screw	2	M6x10
70	Oil seal	1	3086D	98	Lever	2	3051C
71	Screw	5	M6x25	99	Key	2	5x8
72	Shaft	1	3013E	100	Pin	1	
73	Oil seal	1	25x40x10	101	Shifter arm	1	3058C
74	Screw	2	M16x1.5	102	Screw	4	M3x6
75	Washer	2		103	Ball	4	Ø15
76	Oil seal	2	16x2.4	104	Spring	4	1x5x14
77	Screw	1	M6x10	105	Screw	4	M8x5
78	Position piece	1	3012E	106	Pin	2	M5x25
79	Support	1	7003C	107	Shifter arm	2	3065C
80	Screw	2	M4x20	108	Sign board	2	2060
81	Screw	8	M8x16	109	Shaft	1	3011D
82	Knob	2	M8x40	110	Screw	2	M4x40
83	Oil seal	2	25x2.65				
84	Shifter Arm	1	3053B				

### GEAR BOX- II



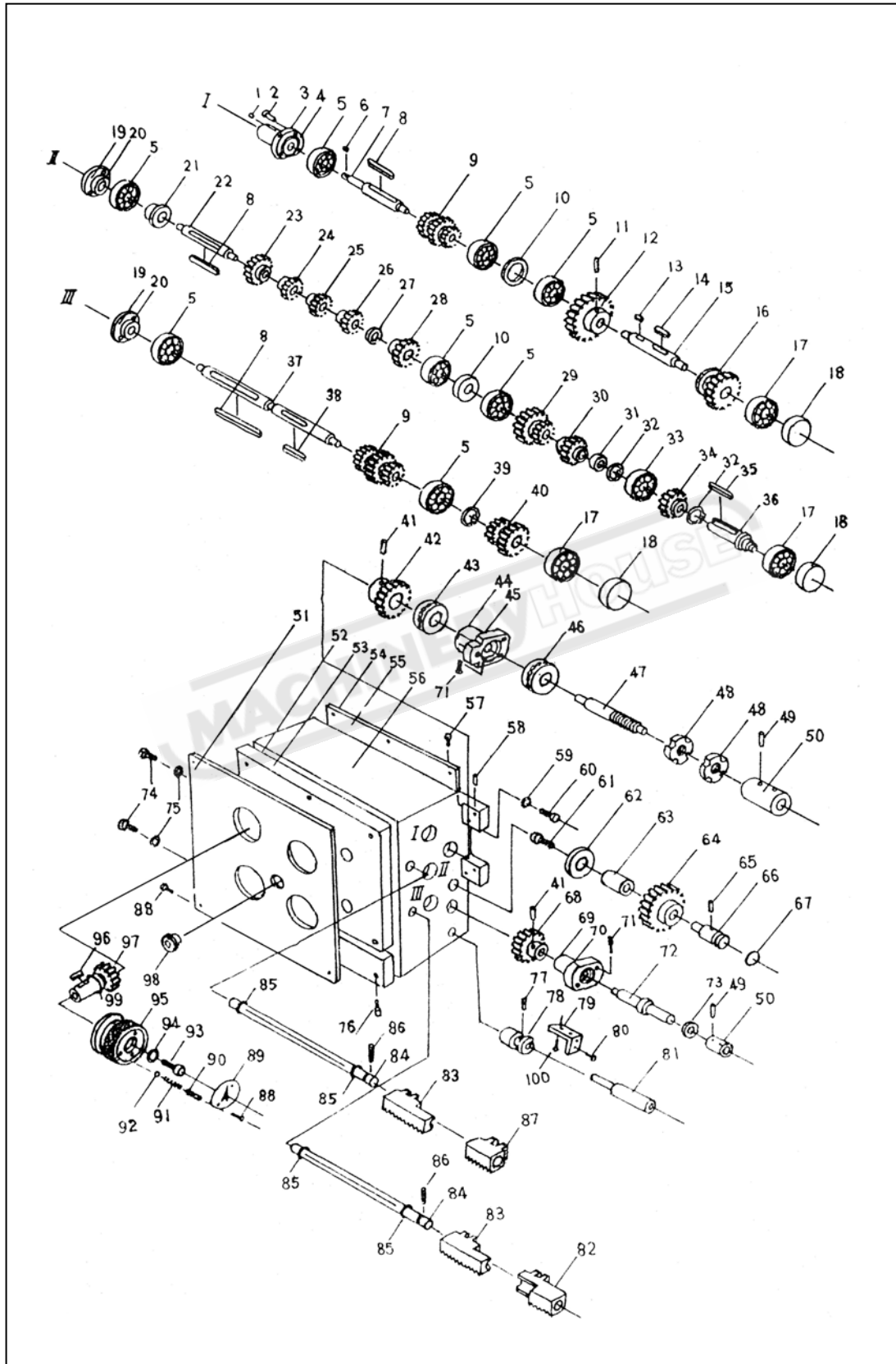
## OWNER'S MANUAL

<b>GEAR BOX- II</b>							
No.	NAME	QTY	NOTE	No.	NAME	QTY	NOTE
1	Oil Cup	1		33	Bearing	1	
2	Screw	7	M6x12	34	Gear	1	3009B
3	Cover	1	3034B	35	Key	1	C5x40
4	Oil seal	1	3035C	36	Shaft	1	3019C
5	Bearing	8		37	Shaft	1	3004B
6	Key	1	5x13	38	Key	1	5x35
7	Shaft	1	3041B	39	Circlip	1	
8	Key	3	6x90	40	Gear	1	3006C
9	Gear	2	3005B	41	Pin	2	5x25
10	Washer	2	3066B	42	Gear	1	3018C
11	Screw	1	M6x8	43	Bearing	1	8103
12	Gear	1	3027C	44	Cover	1	3084D
13	Key	1	6x15	45	Oil seal	1	3068D
14	Key	1	6x35	46	Bearing	1	8104
15	Shaft	1	3067B	47	Shaft	1	3021C
16	Gear	1	3025C	48	Nut	2	M20x1.5
17	Bearing	3		49	Pin	1	5x25
18	Cover	3	3017B	50	Bushing	1	3020E
19	Cover	2	3044B	51	Fascia	1	3060B
20	Oil seal	2	3046B	52	Oil seal	1	3071D
21	Washer	1	3045B	53	Cover	1	3059D
22	Shaft	1	3033B	54	Cover	1	3042C
23	Gear	1	3029B	55	Oil seal	1	3070C
24	Gear	1	3031B	56	Gear box	1	3001D
25	Gear	1	3032B	57	Screw	6	M6x12
26	Gear	1	3003B	58	Pin	2	5x25
27	Washer	1	3030B	59	Spring washer	2	
28	Gear	1	3002B	60	Screw	2	M10x30
29	Gear	1	3026C	61	Screw	1	M6x10
30	Gear	1	3007C	62	Washer	1	6x32x5
31	Washer	1	3008C	63	Bushing	1	3024C
32	Circlip	2		64	Gear	1	3016C

## OWNER'S MANUAL

NO.	NAME	QTY	NOTE	NO.	NAME	QTY	NOTE
65	Screw	1	M6x16	97	Pad	2	3048D
66	Shaft	1	3015C	98	Bulb	2	3052D
67	Oil seal	1	22x2.65	99	Oil seal	2	8.5x1.8
68	Gear	1	3014C	100	Shaft	2	3056D
69	Cover	1	3022F	101	Pin	2	3079D
70	Oil seal	1	3086D	102	Spring	2	
71	Screw	5	M6x25	103	Ball	4	
72	Shaft	1	3013D	104	Spring	4	1x5x14
73	Oil seal	1		105	Screw	4	M8x5
74	Screw	2	M16x1.5	106	Pin	2	M5x25
75	Washer	1		107	Pin	2	5x25
76	Oil seal	1	16x2.4	108	Hand lever	2	3055D
77	Screw	1	3012C	109	Pin	4	A6x20
78	Oil window	1		110	Pin	2	A5x15
79	Bracket	1	3011D	111	Screw	4	M4x6
80	Screw	1		112	Shifter	3	3062B
81	Screw	4	M22x24	113	Spring	2	1x5x14
82	Screw	2	M4x10	114	Shifter arm	1	3058D
83	Circlip	8		115	Shifter arm	1	3053D
84	Shifter arm	1	3063D	116	Tag	1	3064D
85	Shifter	1	3049B	117	Tag	1	3069D
86	Cover	1	3061B	118	Handle	2	2058
87	Shifter arm	1	3065D	119	Knob	2	M8x40
88	Jacket	2	3050D	120	Switch rod	1	3011D
89	Transparent scale	4	3080D	121	Screw	1	M6x10
90	Screw	6	M4x10	122	Position block	1	3012E
91	Key	4	5x6	123	Bearing	1	8103
92	Oil seal	2	21.5x1.8	124	Pin	1	5x40
93	Turn plate	2	3057D	125	Connection part	1	3020D
94	Tag	1	3071D	126	Ball	2	Ø6
95	Channel plate	2	3054D	127	Spring	2	1x5x20
96	Tag	1	3074D	128	Screw	2	M8x8

### GEAR BOX-III



## OWNER'S MANUAL

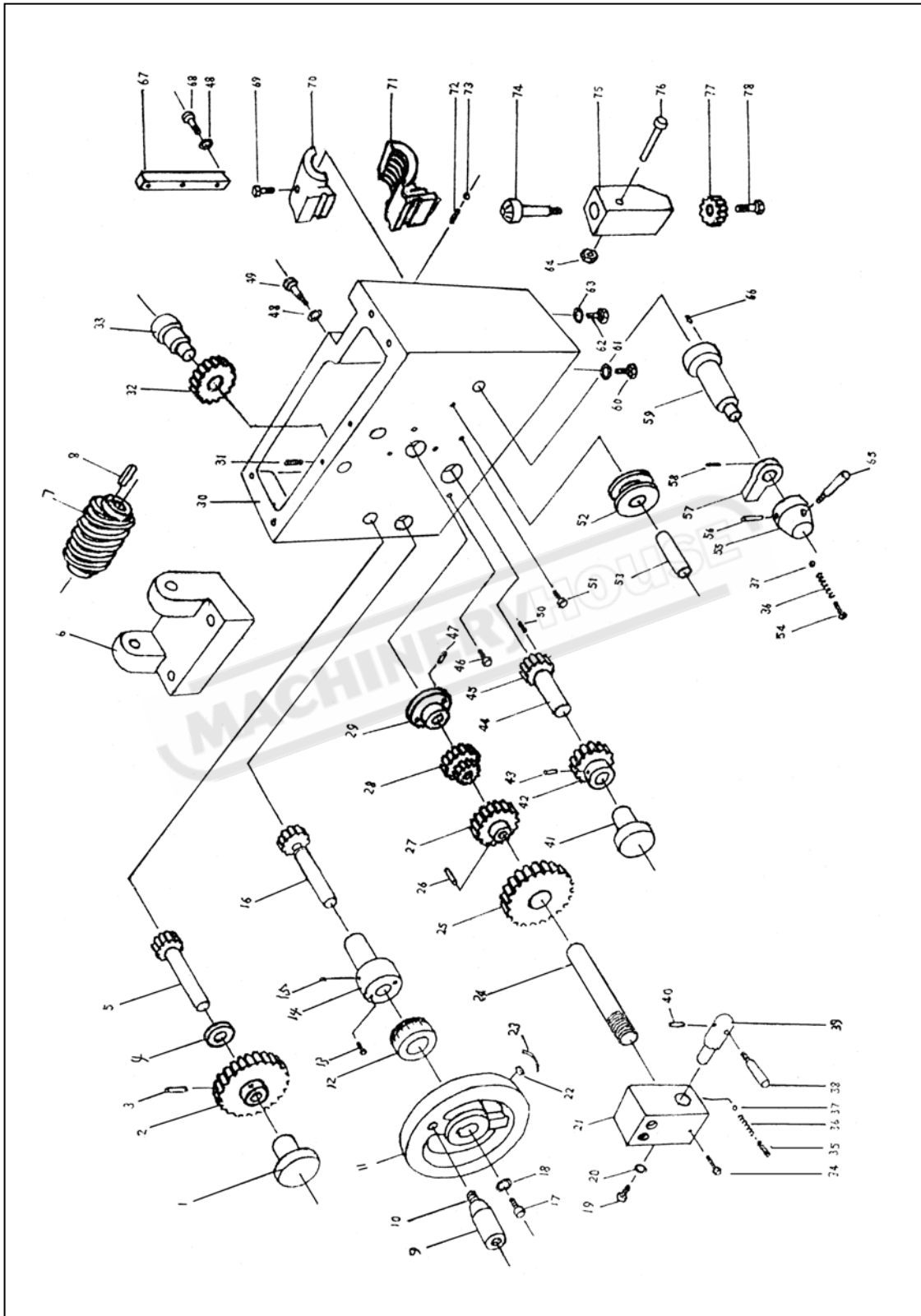
<b>GEAR BOX- III</b>							
NO.	NAME	QTY	NOTE	NO.	NAME	QTY	NOTE
1	Oil cup	1		26	Gear	1	3003B
2	Screw	7	M6x12	27	Washer	1	3030B
3	Cover	1	3034B	28	Gear	1	3002B
4	Oil seal	1	3035C	29	Gear	1	3026C
5	Bearing	8	89103	30	Gear	1	3007C
6	Key	1	5x13	31	Washer	1	3008C
7	Shaft	1	3041B	32	Circlip	2	
8	Key	3	6x90	33	Bearing	1	89103
9	Gear	2	3005B	34	Gear	1	3009B
10	Washer	2	3066B	35	Key	1	C5x40
11	Screw	1	M6x8	36	Shaft	1	3019C
12	Gear	1	3027C	37	Shaft	1	3004B
13	Key	1	6x15	38	Key	1	5x35
14	Key	1	6x35	39	Circlip	1	
15	Shaft	1	3067B	40	Gear	1	3006C
16	Gear	1	3025C	41	Pin	2	5x6
17	Bearing	3	89102	42	Gear	1	3018C
18	Cover	3	3017B	43	Bearing	1	8103
19	Cover	2	3044B	44	Cover	1	3084D
20	Oil seal	2	3046B	45	Oil seal	1	3068D
21	Washer	1	3045B	46	Bearing	1	8104
22	Shaft	1	3033B	47	Shaft	1	3021C
23	Gear	1	3029B	48	Nut	2	M20x1.5
24	Gear	1	3031B	49	Pin	1	5x6
25	Gear	1	3032B	50	Bushing	1	3020E



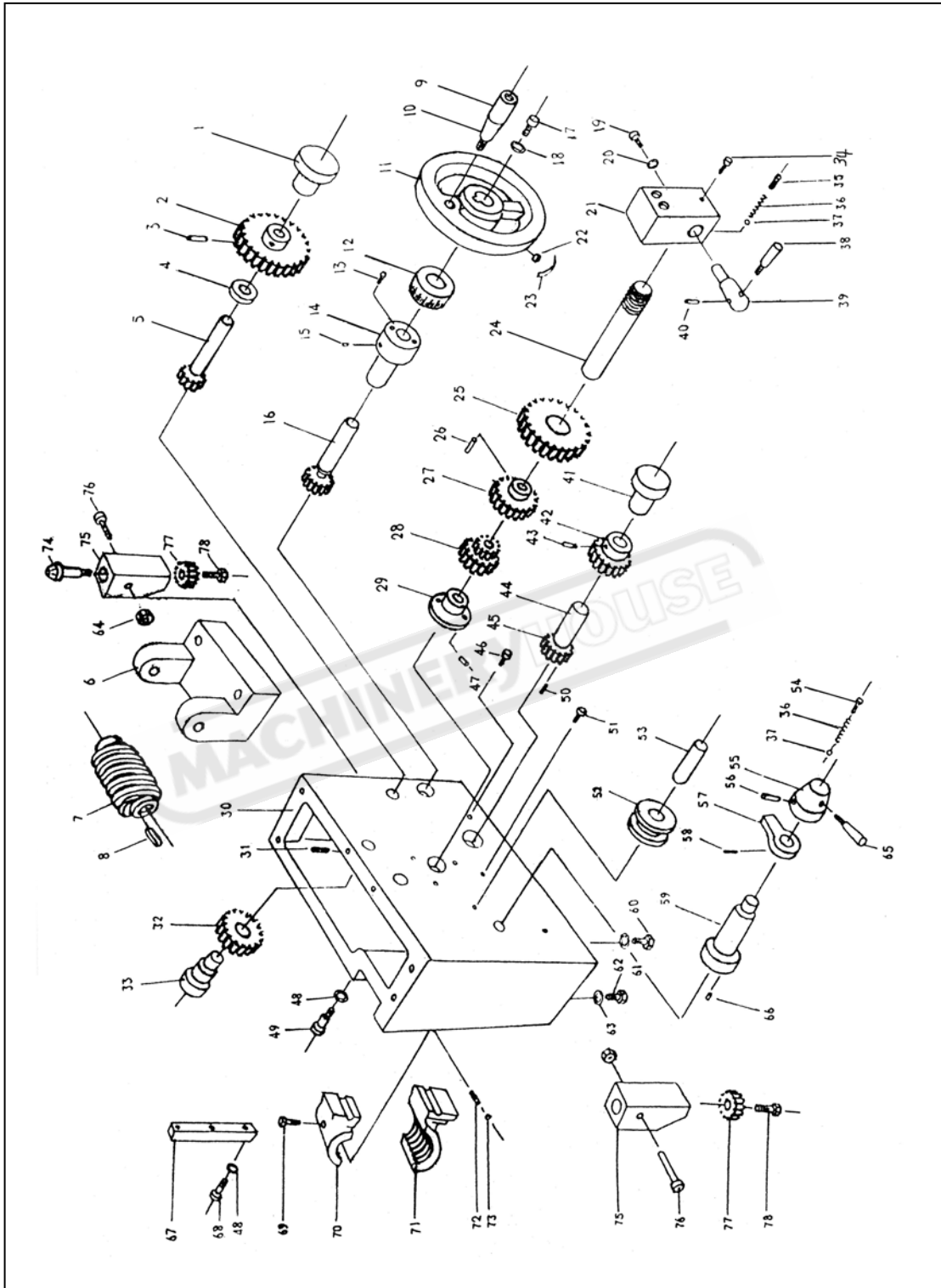
## OWNER'S MANUAL

NO.	NAME	QTY	NOTE	NO.	NAME	QTY	NOTE
51	Fascia	1	3060E	76	Screw	8	M8x15
52	Oil seal	1	3071D	77	Screw	1	M6x10
53	Cover	1	3059D	78	Position piece	1	3012D
54	Cover	1	3042C	79	Support	1	7003B
55	Oil seal	1	3070C	80	Screw	2	M4x20
56	Gear box	1	3001C	81	Shaft	1	3011D
57	Screw	6	M6x12	82	Gear rack	1	3050C
58	Pin	2	5x25	83	Gear rack	2	3049C
59	Spring washer	2		84	Shaft	2	3089A
60	Screw	2	M10x30	85	Oil seal	4	12x1.8
61	Screw	1	M6x12	86	Screw	2	M4x6
62	Washer	1	6x32x5	87	Gear rack	1	3062C
63	Bushing	1	B1260	88	Screw	12	M3x6
64	Gear	1	3016C	89	Sign board	4	2060
65	Screw	1	M6x16	90	Screw	4	M8x6
66	Shaft	1	3015C	91	Spring	4	1x5x25
67	Oil seal	1	22x2.65	92	Steel ball	4	Ø5
68	Gear	1	3014C	93	Screw	4	M6x10
69	Cover	1	3022F	94	Washer	4	
70	Oil seal	1	3086D	95	Hand wheel	4	3054F
71	Screw	5	M6x25	96	Key	4	5x8
72	Shaft	1	3013E	97	Gear	4	3088
73	Oil seal	1	18x30x10	98	Oil window	1	A12
74	Screw	2	M16x1.5	99	Oil seal	4	16x2.4
75	Washer	2					

### APRON-LEFT



# APRON-RIGHT



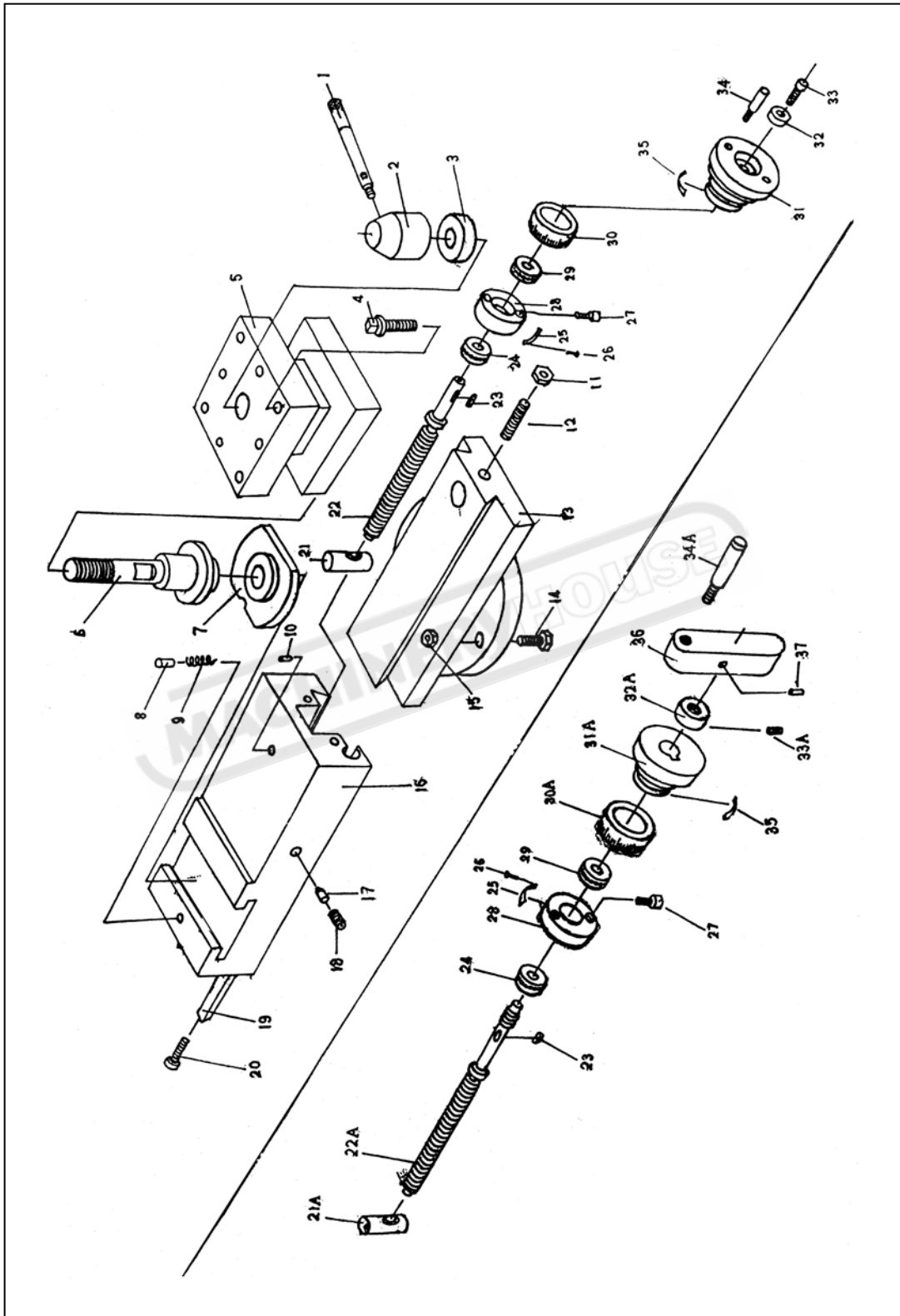
## OWNER'S MANUAL

<b>APRON-LEFT OR APRON-RIGHT</b>							
NO.	NAME	QTY	NOTE	NO.	NAME	QTY	NOTE
1	Bushing	1	4026	23	Leaf spring	1	4037
2	Gear	1	4029	24	Shaft	1	4015
3	Pin	1	5x30	25	Gear	1	4012
4	Space	1	4027	26	Pin	1	5x33
5	Gear shaft	1	4028	27	Gear	1	4013
6	Worm am	1	4008	28	Gear	1	4014
7	Worm	1	4009	29	Bushing	1	4016
8	Flat key	1	B5x36	30	Apron case	1	4001
9	Handle	1	4032	31	Screw	1	M6x6
10	Lever	1	4033	32	Gear	1	4010
11	Hand wheel	1	4034	33	Shaft	1	4011
12	Index ring	1	4036	34	Screw	3	M6x45
13	Screw	1	M6x20	35	Screw	1	M8x8
14	Bracket	2	4031	36	Spring	2	1x45x6
15	Oil cup	1		37	Ball	2	
16	Gear shaft	4	4030	38	Lever	1	4041
17	Screw	1	M6x12	39	Gear shaft	1	4042
18	Washer	1	4035	40	Pin	1	5x25
19	Screw	4	M6x10	41	Bushing	1	4020
20	Washer	1	4038	42	Gear	1	4019
21	Boss	1	4039	43	Pin	1	5x25
22	Key	1	5x16	44	Shaft	1	4018

## OWNER'S MANUAL

NO.	NAME	QTY	NOTE	NO.	NAME	QTY	NOTE
45	Worm gear	1	4017	67	Gib	1	3022
46	Oil window	1	A12	68	Half nut house	2	M6x25
47	Screw	2	M5x33	69	Screw	2	M5x35
48	Washer	3	Ø6	70	half nut	1	4002
49	Screw	1	M6x10	71	Screw	1	4003A1
50	Screw	1	M6x6	72	Screw	2	M6x15
51	Limit block	1	4043	73	Nut	2	M6
52	Safety shifter	2	4025	74	Thread dial	1	4006
53	Shaft	1	4024	75	Housing	1	4005
54	Screw	1	M8x8	76	Screw	1	M6x65
55	Boss	1	4045	77	Gear	1	4044
56	Pin	1	5x40	78	Screw	1	M6x15
57	Cam	1	4021				
58	Screw	1	M5x12				
59	Shaft	1	4023				
60	Screw	1	M8x30				
61	Washer	2	Ø8				
62	Screw	2	M10x1x20				
63	Washer	1	Ø10				
64	Lever	1	4007				
65	Lever	1	4044				
66	Pin	2	5x10				

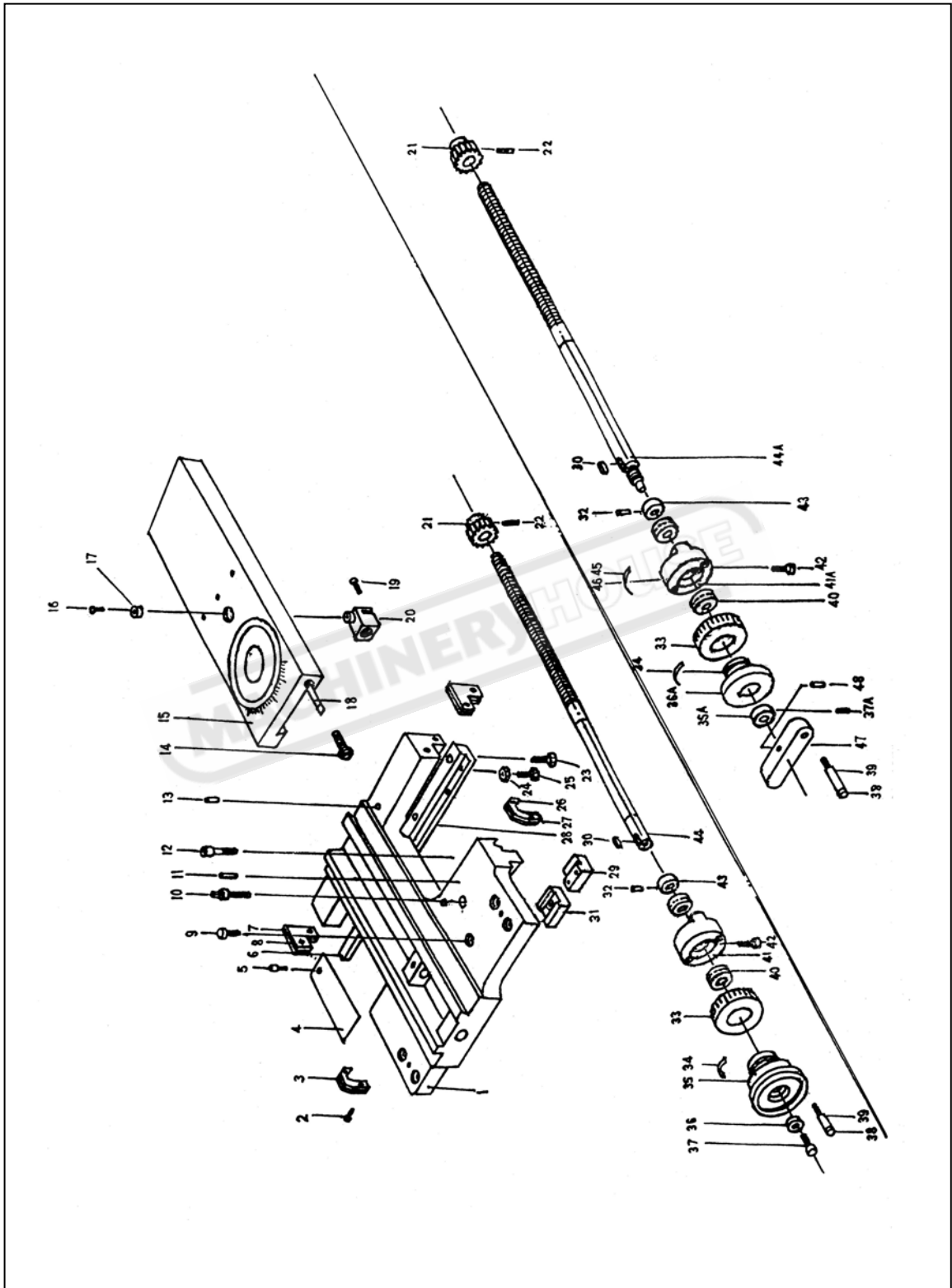
# COMPOUND REST



## OWNER'S MANUAL

<b>COMPOUND REST</b>							
NO.	NAME	QTY	NOTE	NO.	NAME	QTY	NOTE
1	Handle	1	5010	23	Key	1	4x8
2	Boss	1	5009	24	Bearing	1	8101
3	Collar	1	5008	25	Scale	1	5026A2
4	Screw	8	M10x45	26	Rivet	2	2x4
5	Tool post	1	5005	27	Screw	2	M6x25
6	Shaft	1	5006	28	Bracket	1	5013
7	Nut	1	5003	29	Bearing	1	8101
8	Pin	1	5004	30	Index ring	1	5014A3
9	Spring	1	1.2x4.8x8	31	Hand wheel	1	5016A
10	Oil cup	1		32	Washer	1	5028
11	Nut	1	M6	33	Screw	1	M6x12
12	Screw	1	M6x16	34	Lever	2	5031
13	Compound	1	5001	35	Leaf spring	1	4037
14	Screw	2	5107	21A	Nut	1	5012
15	Nut	2	M10	22A	Guide screw	1	5011
16	Compound	1	5002	30A	Index ring	1	5014
17	Pin	1	5024	31A	Washer	1	5016
18	Screw	1	M6x8	32A	Nut	1	5025
19	Gib	1	5023	33A	Screw	1	M6x8
20	Screw	2	5021	34A	Lever	1	M8x63
21	Nut	1	5012A1	36	Bracket	1	5120
22	Guide screw	1	5011A3	37	Pin	1	3x16

# SADDLE

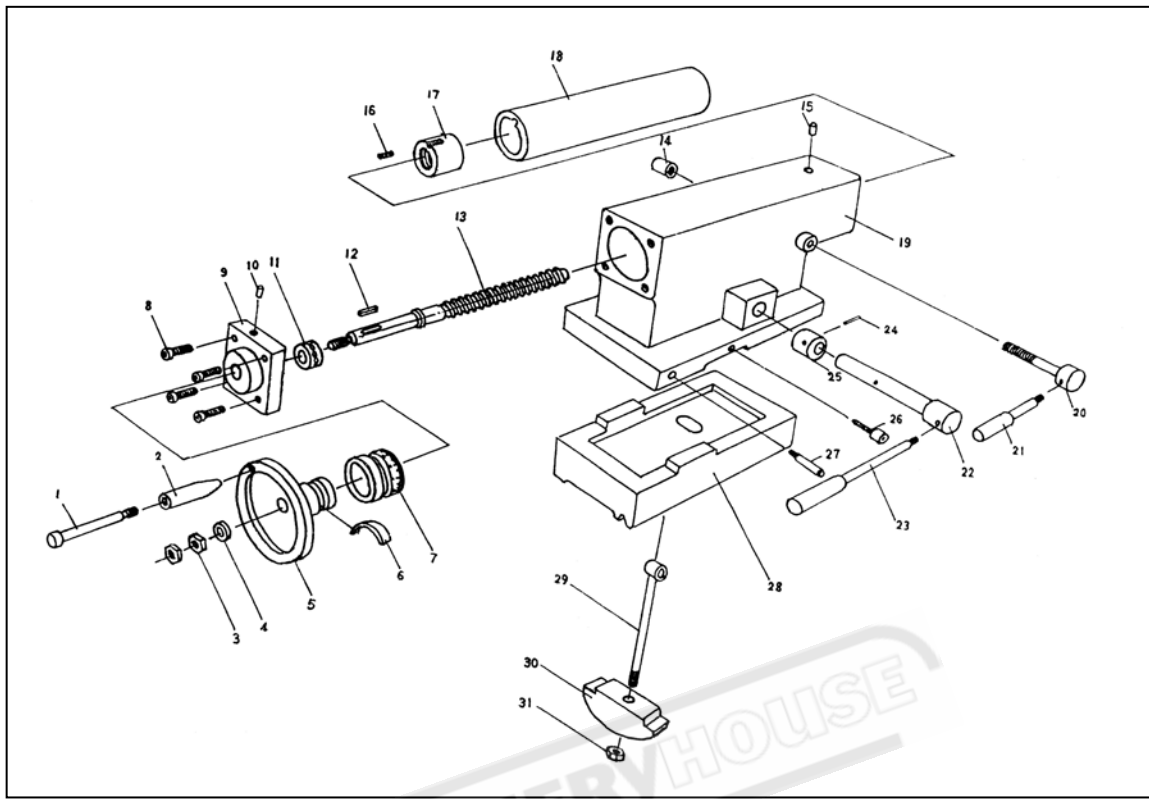




## OWNER'S MANUAL

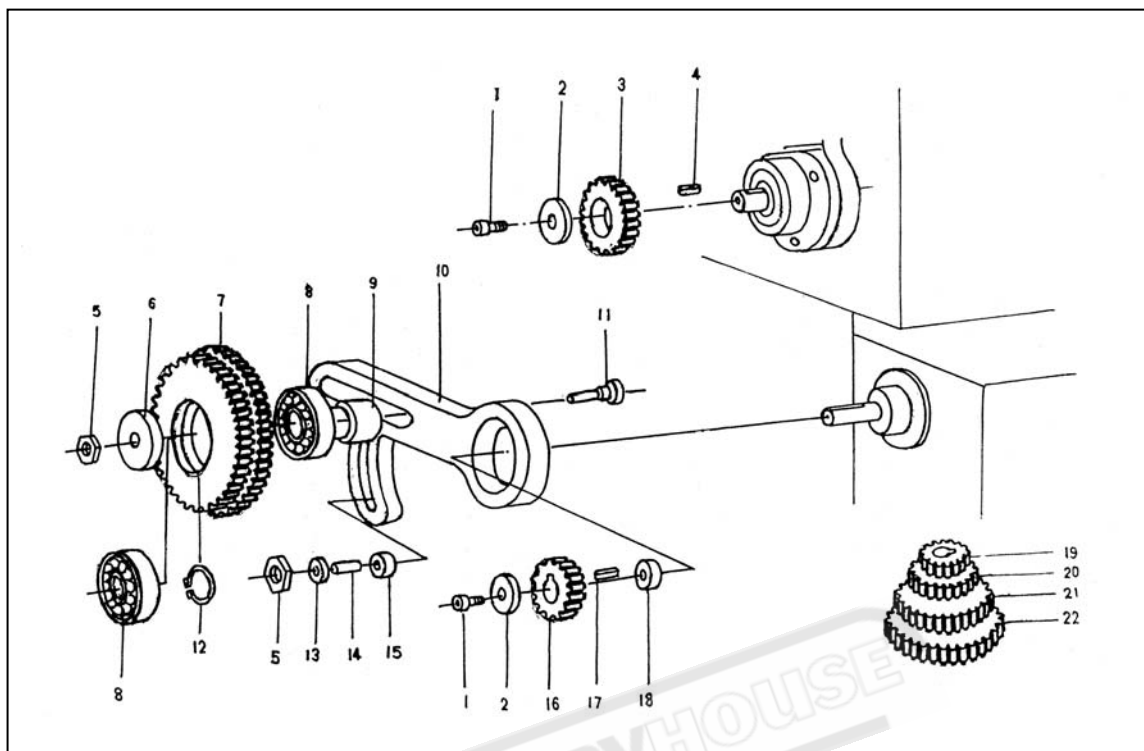
<b>SADDLE</b>							
NO.	NAME	QTY	NOTE	NO.	NAME	QTY	NOTE
1	Saddle	1	5101	28	Press plate	1	5131
2	Screw	8	M5x132	29	Press plate	2	5116
3	Wipper	1	5108	30	Key	1	5x20
4	Cover	1	5106	31	Press plate	1	5129
5	Screw	1	M3x8	32	Pin	1	3x20
6	Press plate	2	5130	33	Index ring	1	5124A3
7	Press plate	2	5110	34	Leaf spring	1	4037
8	Wipper	2	5109	35	Hand wheel	1	5122A
9	Screw	1	5113	36	Washer	1	5028
10	Screw	1	5128	37	Screw	1	M6x16
11	Pin	2	6x45	38	Hand	1	4033
12	Screw	4	M10x30	39	Lever	1	4032
13	Oil cup	5		40	Bearing	1	8102
14	Screw	2	5115	41	Bracket	1	5125A
15	Tool post	1	5102	42	Screw	2	M8x30
16	Screw	1	M6x12	43	Washer	1	5126
17	Bushing	1	5105	44	Guide screw	1	5103A3
18	Gib	1	5114	35A	Collar	1	5122
19	Screw	2	M4x12	36A	Nut	1	5121
20	Nut	1	5104A2	37A	Screw	1	M6x6
21	Gear	1	5127	41A	Bracket	1	5125A
22	Screw	1	M6x8	44A	Guide screw	1	5103A2
23	Screw	7	M8x25	45	Rivet	2	2x4
24	Nut	4	M8	46	Scale	1	5133A2
25	Screw	4	M8x25	47	Bracket	1	5120
26	Press plate	2	5112	48	Pin	1	4x20
27	Wipper	1	5111				

## TAIL STOCK



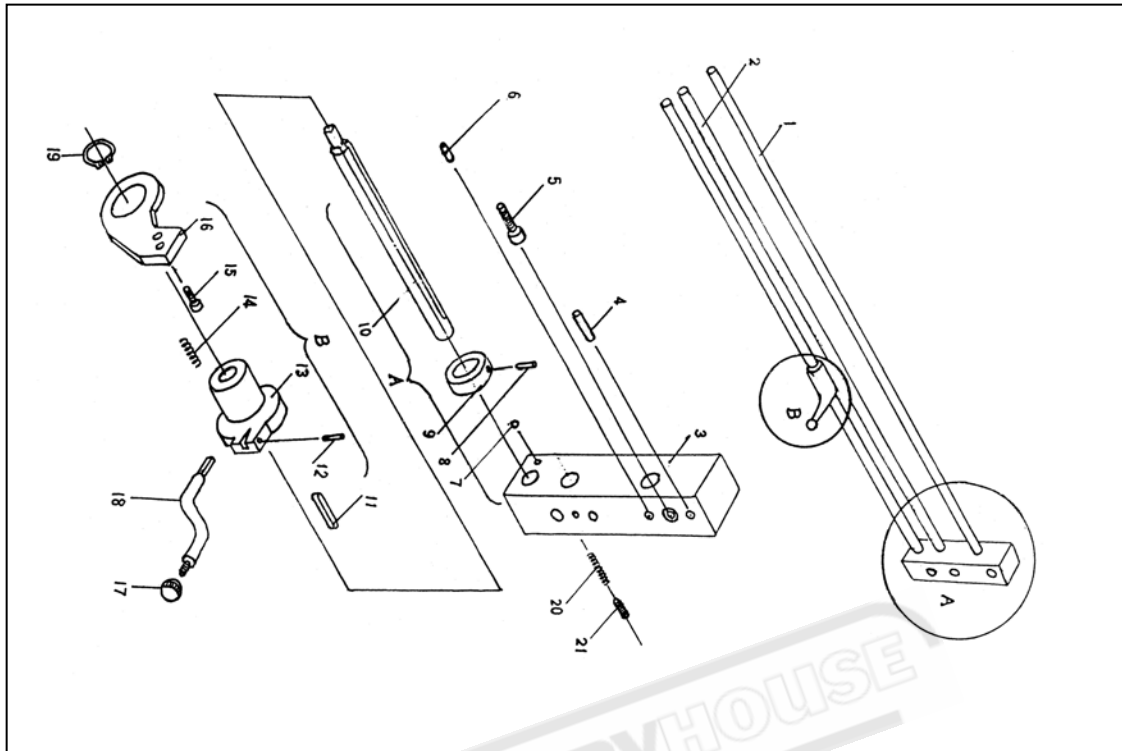
TAILSTOCK							
NO.	NAME	QTY	NOTE	NO.	NAME	QTY	NOTE
1	Handle	1	4033	17	Nut	1	6012
2	Lever	1	4032	18	Quill	1	6013
3	Nut	2	M10	19	Tail stock	1	6001
4	Washer	1	A10	20	Lock screw	1	6022
5	Hand wheel	1	6005	21	Handle	1	6021
6	Leaf spring	1	4037	22	Shaft	1	6017
7	Index ring	2	6010	23	Handle	1	6004
8	Screw	4	M6x16	24	Pin	1	5x30
9	Bracket	1	6011	25	Collar	1	6018
10	Oil cup	1		26	Screw	1	M10x50
11	Bearing	1		27	Screw	1	6003
12	Key	1	4x15	28	Base	1	6002
13	Guide screw	1	6006	29	Shaft	1	6019
14	Lock nut	1	6023	30	Base shoe black	1	6020
15	Oil cup	1		31	Nut	1	M12
16	Screw	2	M6x8				

## CHANGE GEAR



CHANGE GEAR							
NO.	NAME	QTY	NOTE	NO.	NAME	QTY	NOTE
1	Screw	2	M6×12	12	Circlip	1	
2	Washer	2	2003	13	Washer	1	
3	Gear	1	2002C	14	Screw	1	M10×45
4	Key	1	C5×8	15	Washer	1	3037A
5	Nut	2	M10	16	Gear	1	3039C
6	Washer	1	3035	17	Key	1	5×18
7	Gear	1	3038C	18	Washer	1	3034B
8	Bearing	1		19	Change gear	1	3076C
9	Collar	1	3033	20	Change gear	1	3075C
10	Quadrant	1	3043B	21	Change gear	1	3077C
11	Screw	1	3034	22	Change gear	1	3078C

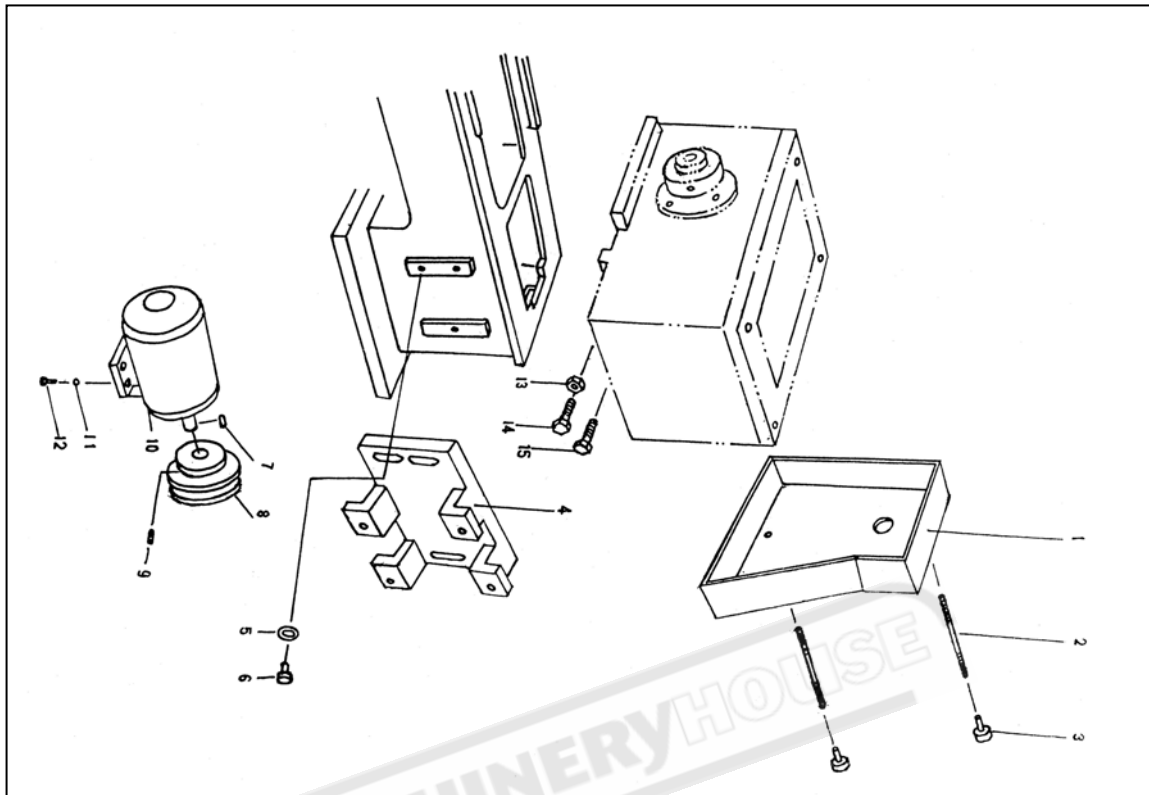
## CONTROL SWITCH ASSEMBLY



### CONTROL SWITCH ASSEMBLY

NO.	NAME	QTY	NOTE	NO.	NAME	QTY	NOTE
1	Guide screw	1	1005B	12	Pin	1	4x20
2	Rod	1	1006B	13	Bracket	1	1014B
3	Bracket	1	1012	14	Spring	1	1.2x8.10
4	Pin	2	6x65	15	Screw	2	M6x15
5	Screw	2	M8x60	16	Bracket	1	1015B
6	Oil cup	2		17	Handle ball	1	M10x32
7	Ball	1		18	Handle	1	1016
8	Pin	1	4x20	19	Circlip	1	
9	Bushing	1	1035B	20	Spring	1	1x5x30
10	Feed rod	1	1010	21	Screw	1	M8x10
11	Key	1					

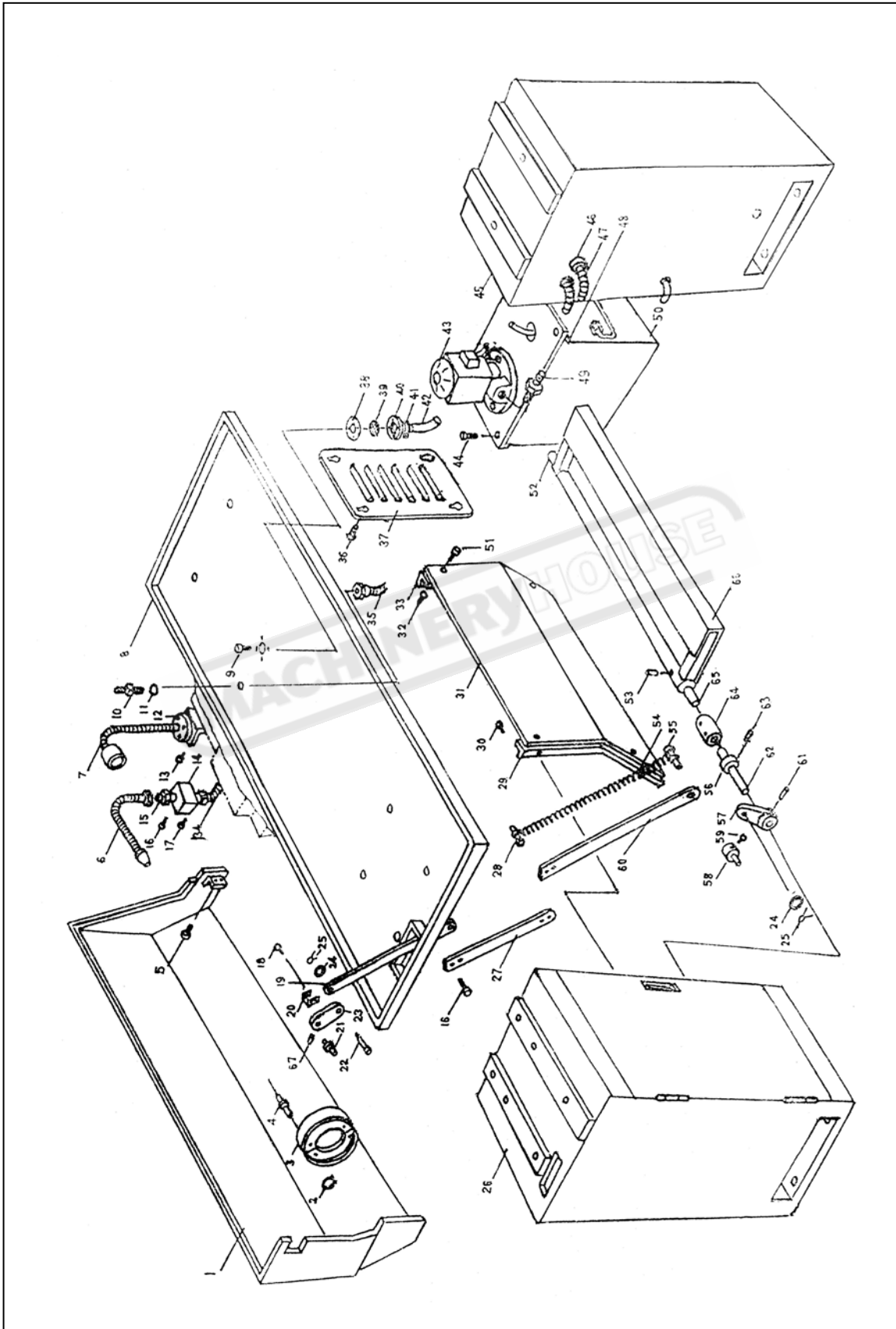
## BED AND DRIVE ASSEMBLY



### BED AND DRIVE ASSEMBLY

NO.	NAME	QTY	NOTE	NO.	NAME	QTY	NOTE
1	Cover	1	1021	9	Screw	1	M6x8
2	Screw	2	1002	10	Motor	1	
3	Nut	2	1001	11	Spacer	4	Ø8
4	Trestle	1	1024	12	Screw	4	
5	Washer	3	1013	13	Nut	2	M6
6	Screw	3		14	Screw	2	M8x45
7	Key	1	8x40	15	Screw	2	M8x30
8	Pulley	1	1003A5				

### SPECIAL ACCESSORIES



## OWNER'S MANUAL

<b>SPECIAL ACCESSORIES--BASE PART</b>							
NO.	NAME	QTY	NOTE	NO.	NAME	QTY	NOTE
1	Chip guard	1	1023	31	Back plate	1	8601
5	Screw	4	M6x16	32	Nut	4	M6
8	Oil pan	1	1022	33	Right bracket	1	8603
26	Left cabinet	1	8400	45	Right cabinet	1	8500
29	Left bracket	1	8602	51	Screw	4	M6x16
30	Screw	4	M6x16				

<b>SPECIAL ACCESSORIES--BRAKE PART</b>							
NO.	NAME	QTY	NOTE	NO.	NAME	QTY	NOTE
2	Open circlip	1		53	Spring pin	1	5x25
3	Brake block	1		54	Spring	1	1048
4	Shaft	1	1040	55	Shaft	1	1047
16	Screw	2	M6x12	56	Circlip	1	20
18	Screw	1	M4x10	57	Shifter	1	1045
19	Draw rod	1	1043	58	Shaft	1	1052
20	Bracket	1	1053	59	Screw	1	M6x30
21	Pivot	1	1042	60	Draw rod	1	1054
22	Pin	1	8x20	61	Spring pin	1	5x40
23	Shifter	1	1041	62	Shaft	1	1049-1
24	Washer	2		63	Screw	1	M6x12
25	Open clip	2	2.5x16	64	Connecting sleeve	1	1049-3
27	Draw rod	1	1044	65	Shaft	1	1049-2
28	Screw	1	M10x30	66	Paddle	1	1050
52	Shaft	1	1051	67	Spring pin	1	4x25

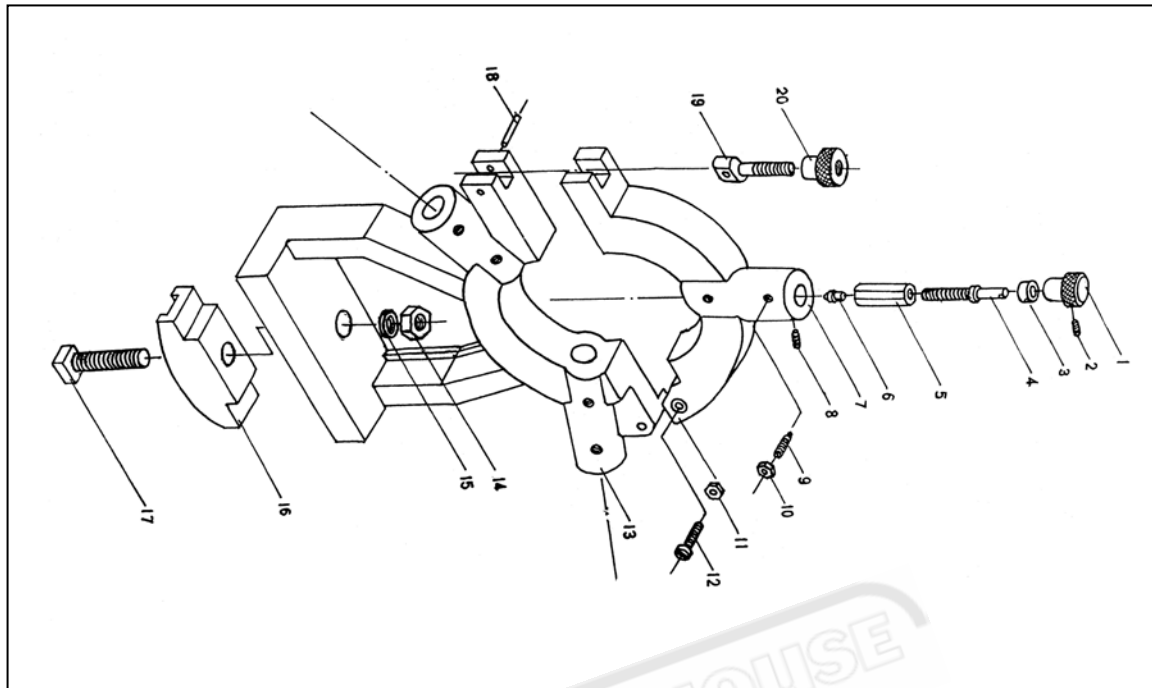
## OWNER'S MANUAL

<b>SPECIAL ACCESSORIES--COOLING PART</b>							
NO.	NAME	QTY	NOTE	NO.	NAME	QTY	NOTE
6	Coolant pipe	1		39	Filter	1	9203
9	Screw	4	M5x12	40	Pipe	1	9204
10	Pipe connecting	1	9206	41	Hooping	1	
11	Washer	1	9207	42	Pine	1	16x1000
14	Bracket	1	9208	43	Coolant	1	
15	Shaft	1	X6121-06011 A	44	Screw	4	M5x10
17	Screw	2	M8x35	46	Pipe	1	M16x15
34	Coolant pipe	1		47	Metal pipe	1	8x1800
35	Coolant pipe	1		48	Cover	1	9210
36	Screw	4	M6x12	49	Pipe	1	9206
37	Cover	1	9201A	50	Coolant box	1	9209
38	Papet lining	1	9205				

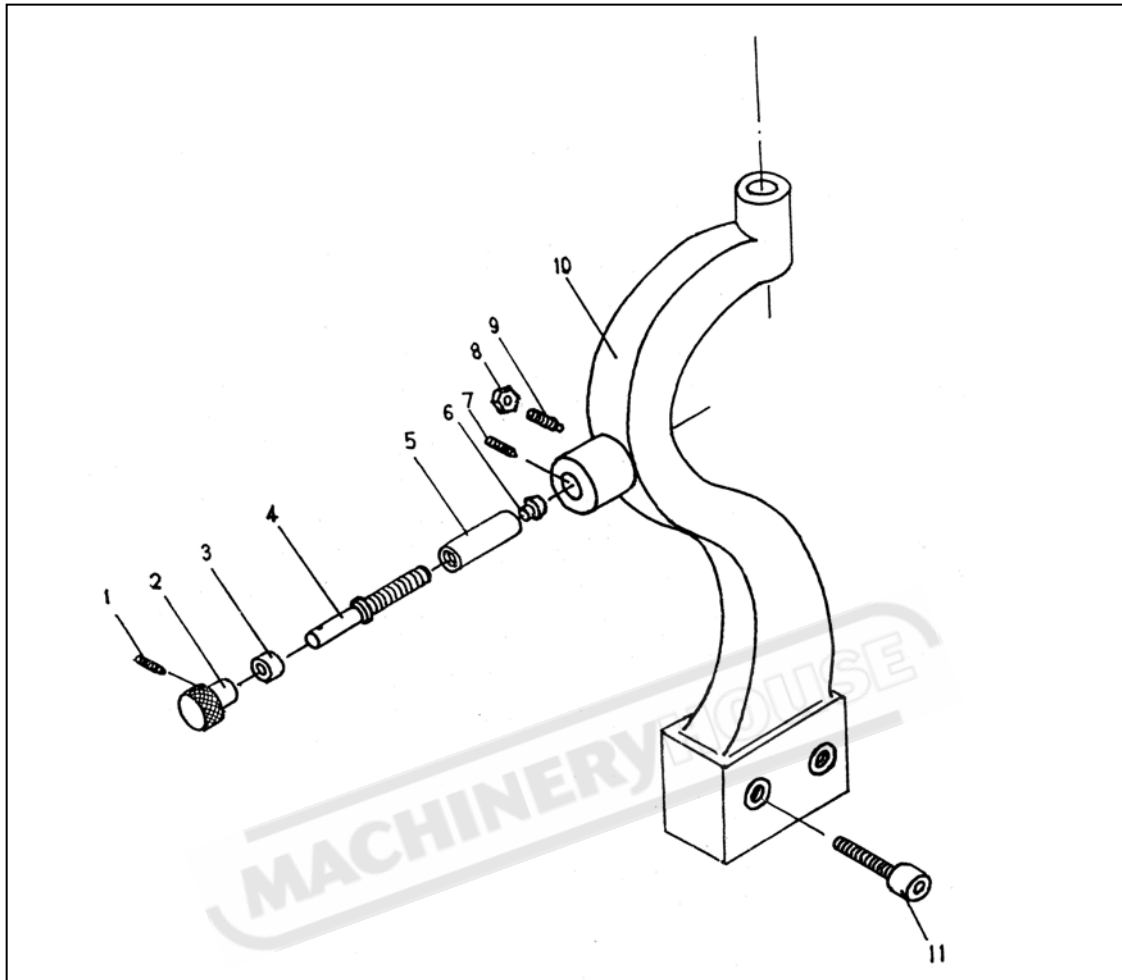
<b>SPECIAL ACCESSORIES--LIGHTING PART</b>							
NO.	NAME	QTY	NOTE	NO.	NAME	QTY	NOTE
7	Working lamp	1		13	Screw	2	M5x12
12	Bracket	1	7015				



## STEADY REST

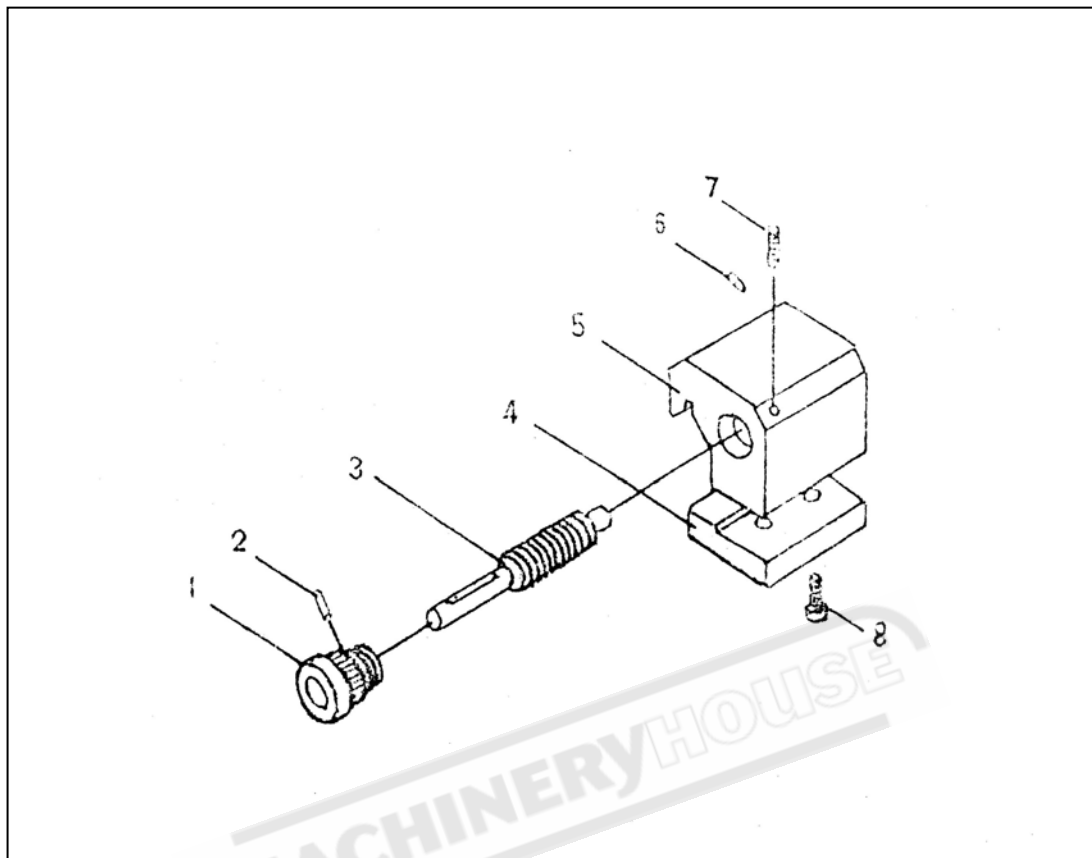


STEADY REST							
NO.	NAME	QTY	NOTE	NO.	NAME	QTY	NOTE
1	Knob	3	8205	11	Hex screw nut	1	M6
2	Screw	3	M6x8	12	Screw	1	M6x25
3	Collar	3	8207	13	Base body	1	8201
4	Pressing lever	3	8206	14	Hex screw nut	1	M12
5	Pressing collar	3	8208	15	Washer	1	12
6	Pressing base	3	8209	16	Pressing plate	1	6020
7	Upper body	1	8202	17	Square ad bolt	1	M12x60
8	Screw	3	M6x10	18	Spring pin	1	4x25
9	Screw	3	M6x16	19	Locking lever	1	8203
10	Hex screw nut	3	M6	20	Locking screw nut	1	8204

**FOLLOW REST****FOLLOW REST**

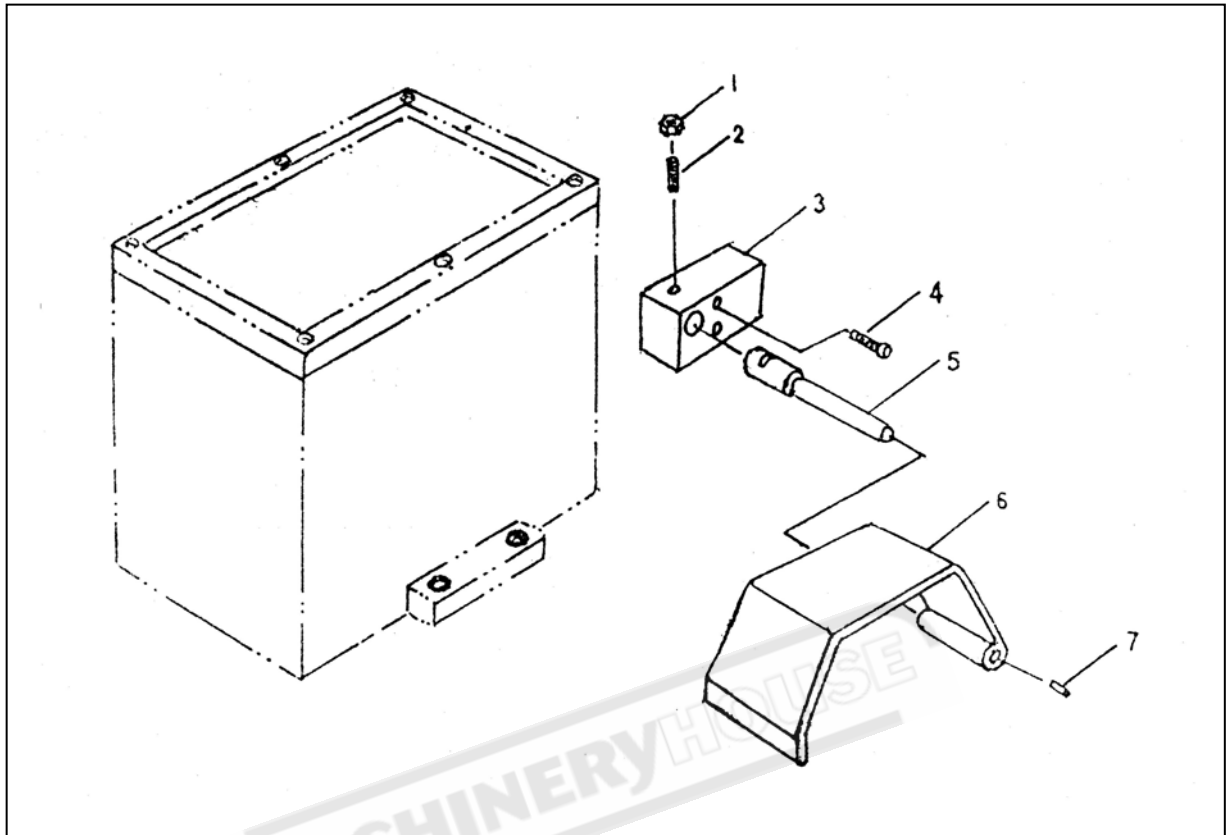
NO.	NAME	QTY	NOTE	NO.	NAME	QTY	NOTE
1	Screw	2	M6x6	7	Screw	2	M6x10
2	Knob	2	8205	8	Hex screw nut	2	M6
3	Collar	2	8207	9	Screw	2	M6x16
4	Pressing lever	2	8206	10	Body	1	8201
5	Pressing collar	2	8208	11	Bolt	2	M8x40
6	Pressing base	2	8209				

## POSITION DEVICE



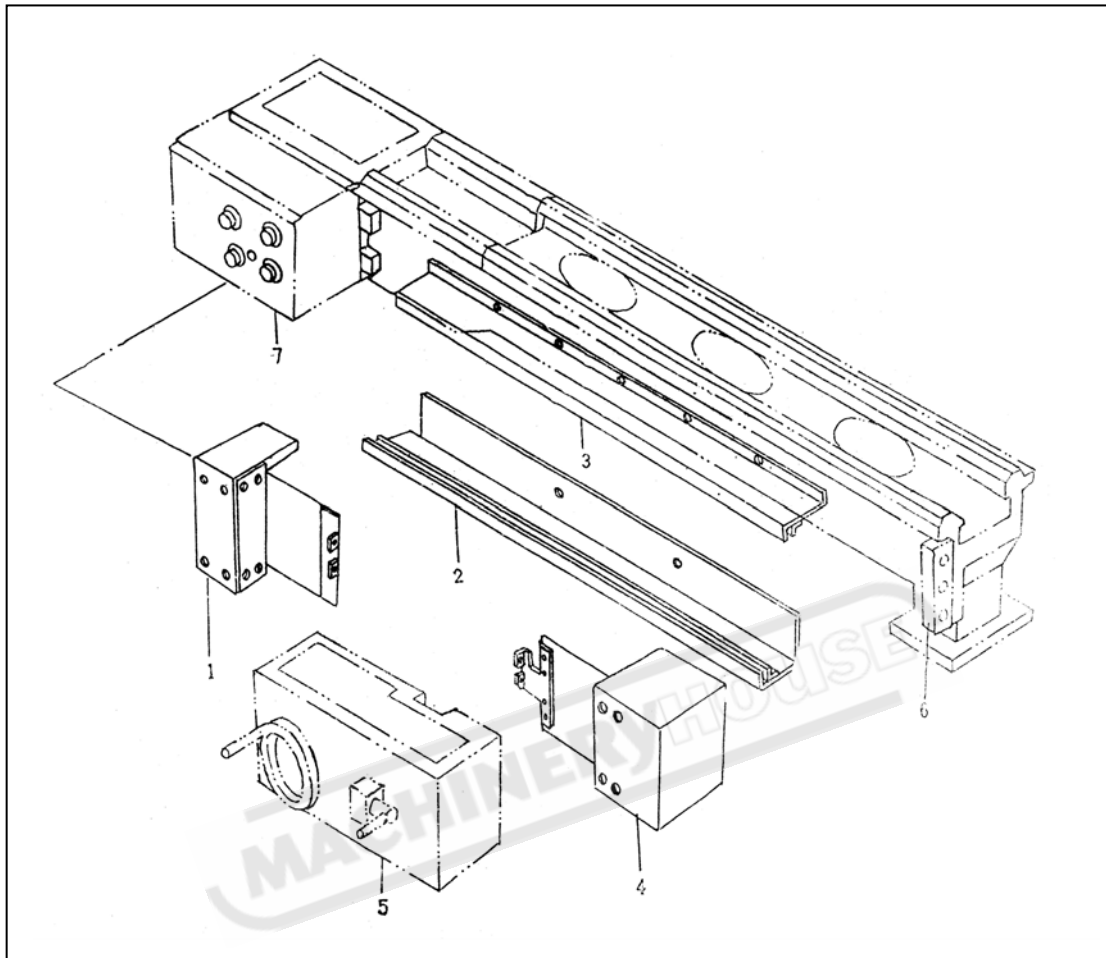
POSITIONING DEVICE							
NO.	NAME	QTY	NOTE	NO.	NAME	QTY	NOTE
1	Knob	1	8705	5	Body	1	8703
2	Pin	1	M3x6	6	Indicator	1	8707
3	Guide screw	1	8706	7	Screw	1	M6x10
4	Pressing plate	1	8704	8	Screw	2	M6x12

## PROTECTING COVER



PROTECTING COVER							
NO.	NAME	QTY	NOTE	NO.	NAME	QTY	NOTE
1	Nut	1	M6	5	Shaft	1	8902
2	Screw	1	M6 x16	6	Protecting cover	1	8903
3	Switch box	1	8901	7	Pin	1	M4 x12
4	Screw	2	M6x 45				

## GUARD



GUARD							
NO.	NAME	QTY	NOTE	NO.	NAME	QTY	NOTE
1	Left box	1	1120	5	Apron	1	4000
2	Down board	1	1118	6	Bracket	1	1012
3	Up board	1	1117	7	Gear Box	1	3000
4	Right box	1	1110				